



SOLAR MOUNTING SYSTEMS



Jiangsu Uranus Solar Technology Co.,Ltd

Tel: 0519-88668996

E-mail: info@uranusolar.com

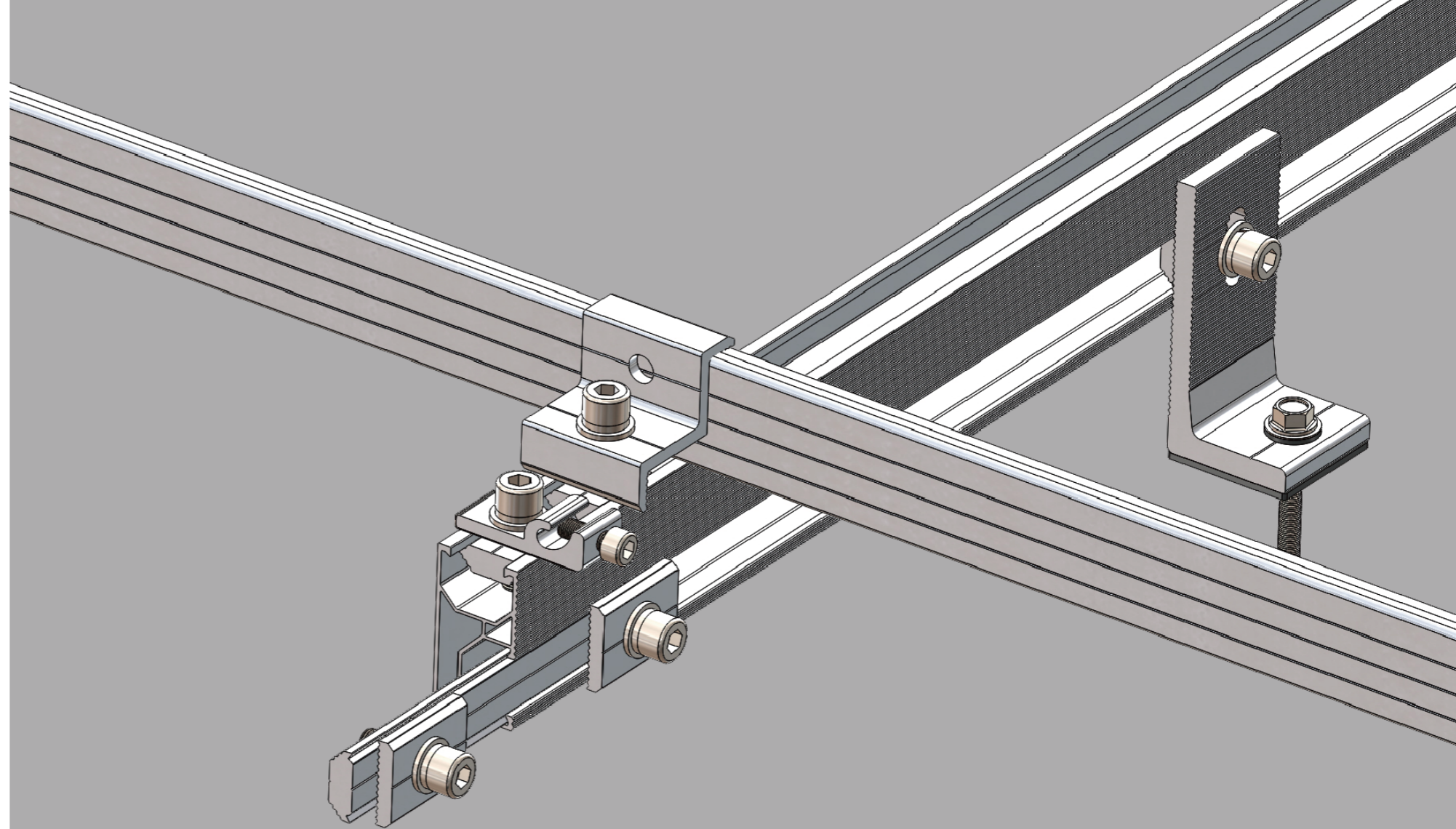
Factory Add: Xi Xiang Village, Hengshan Town, Changzhou Economic
Development Zone, Jiangsu Province

Contents

About Uranus	01
Complete Supply Chain	03
Quality Control	05
Sampling Inspection	06

Series Products

Metal Roof Solar Mounting System.....	07
Tile Roof Solar Mounting System	09
Adjustable Tilt Flat Roof Mounting System.....	11
Our accessories	13
Global Layout	15
Project Reference	16



Features of Uranus Solar Mounting Systems

High Strength

Stable Performance

Durability

Easy Installation

Customized Designs

About us

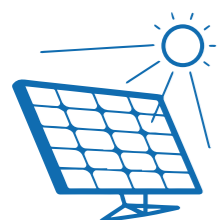
Jiangsu Uranus Solar Technology Co.,Ltd.(Uranus Solar), with its headquarter located in Changzhou, Jiangsu. We also have Wujing Changzhou, Bangkok Thailand, Hongkong, and Australia as our distribution and service center for all the international market.

Uranus Solar has one production base in Changzhou China. We have a complete production chain of aluminum ingots casting, extrusion, oxidation and fine finishing, equipped with perfect laboratory equipment to control the product quality. The company commits itself to the design, R&D, production and sales service, the main product will be solar mounting system, frames, solar car park system etc.

Thanks to the long-term reliable products and the rapid response services, Uranus Solar has become the most competitive supplier of diversified aluminum profile application solutions and the most trusted partner to the clients at home and abroad.



Core Business



Solar mounting system

Specialize in R&D, manufacturing and sales of solar mounting system. Products are strictly in accordance with AS/NZS1170, JISC8955 and other international advanced standards for research, development and production.



Aluminum formwork system

Engaged in the production, sales and leasing of aluminum formwork. Provide aluminum formwork system and corresponding supporting materials for various types and scales of commercial and residential buildings.

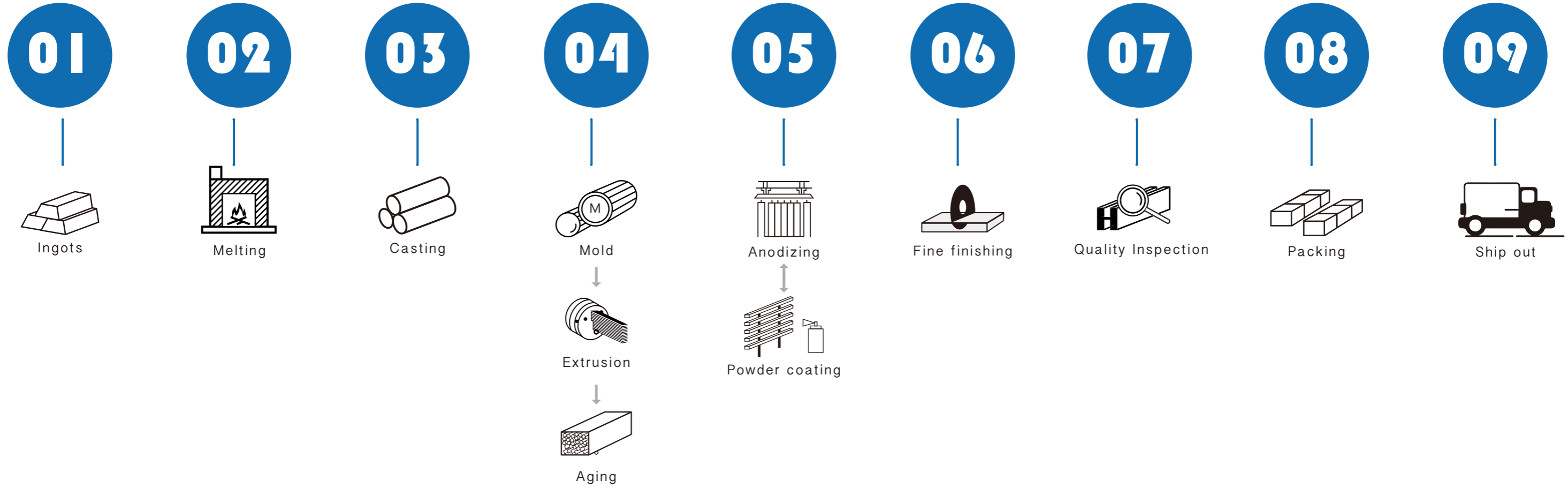


Other aluminum profile

Focus on the aluminum alloy extrusion profiles applied in the fields of science and technology communication, construction, transportation, interior decoration and sports, etc.. Customization of various special aluminum profiles according to samples from customer is available.

Complete Supply Chain

Own factory with complete aluminum production chain from ingot melting, extrusion, anodizing, powder coating, fine finishing to packing.



Quality Control

A quality-guarantee system for our aluminum products consists of our advanced testing equipment, excellent inspectors and thorough QC management.



1. Spectrum Analyzer



2. Anti-pull force testing



3. Chemical Element Testing



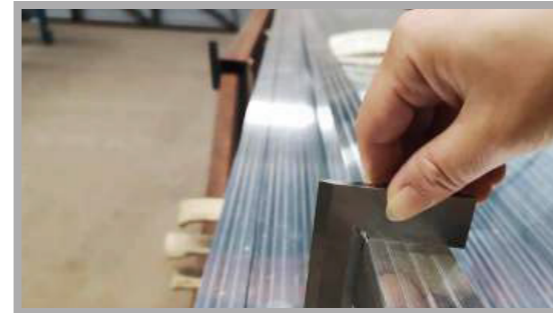
4. Film Thickness Testing



5. Salt Spray Testing

Sampling Inspection

Whole process inspection from raw material to finished product including section size, thickness, torsion, bending, angle, surface quality, etc.



1. Preliminary Angle



2. Precise Angle Deviation



3. Cross Section Width



4. Thickness Measurement



5. Hardness Measurement

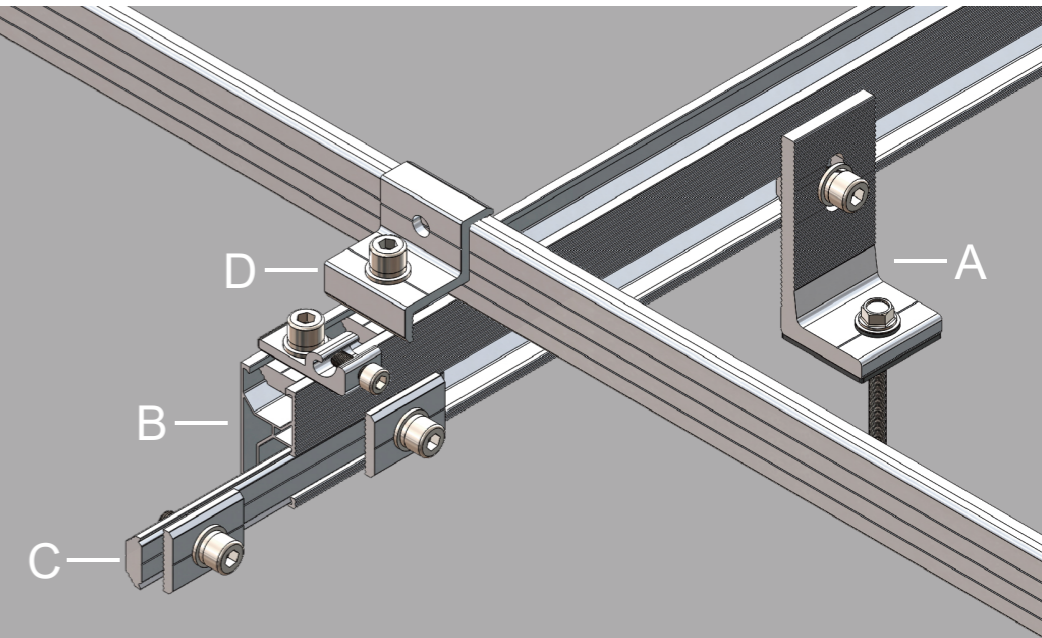
Solid, Versatile For All Metal Sheet Roofs

The metal roof mounting system is suitable for roofing with corrugated sheet metal, trapezoidal metal sheet. L Feet, hanger bolt are available for foot options, making installation more fast, competitive and reliable.

Systems are fully compliant with the Australian and other international standards on wind & snow load, making it suitable for a wide variety of climatic zones.



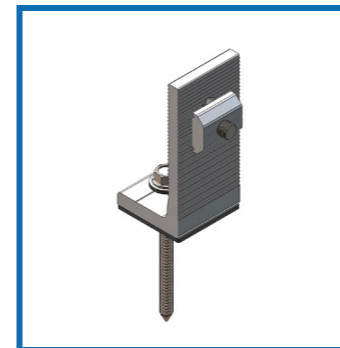
Metal Roof Solar Mounting System



Features

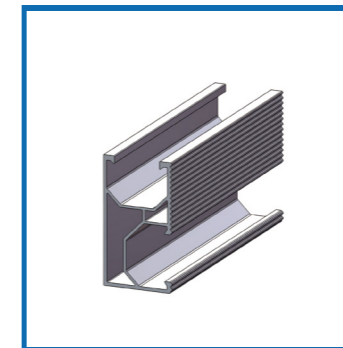
Application	Pitched roof
Roof Slope	Up to 60°
Building height	Up to 20m
Roof cladding	Suitable for most types of cladding
Recommended wind speed	Up to 79.2m/s (wind region D)
PV module	Framed, unframed
Module orientation	Landscape, portrait
Material	Anodized aluminum 6005 T6 stainless steel 304
Standard	AS/NZ1170.2:2011, JIS C 8955:2011

Components



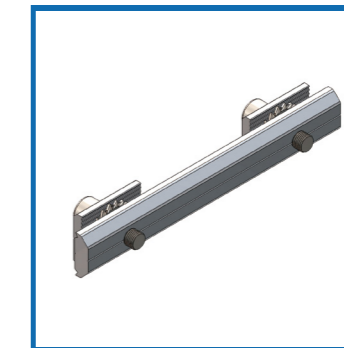
A:L foot

Use to secure rails through roofing material. Fix the L bracket (together with rubber pad) to the rafter using SUS 410 Screw.



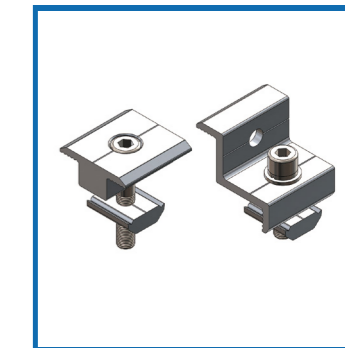
B:Rail

Supporting PV modules, aluminum extrusion, length customizable. Connect the rail with L bracket by T-module and tighten the bolt.



C:Rail Splice

Connect multiple rails together, forms a rigid joint. Slide the splices on the rear side of rail with the next rail segment.



D:Clamp

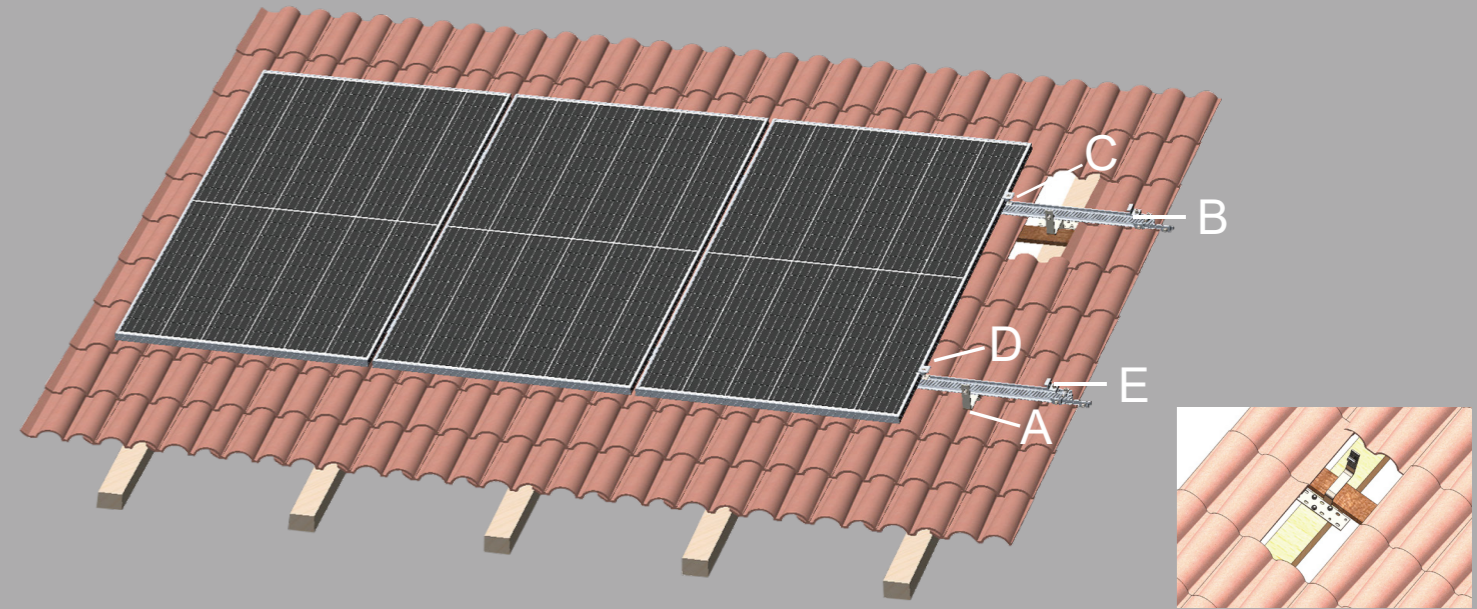
Providing bond from rail to module. Slide the end clamp tightly against the solar module and fasten tightly using the Allen bolt.

Flexible, Simple Clean On Different Tile Roofing

The tile roof solar mounting system offers perfect solution for installation on tile roofing, the roof fastening is done using highly-resistant stainless steel roof hooks, which is suitable for nearly all coverings, such as pantile, plain tiles, slate tiles. Systems are fully compliant with the Australian and other international standards on wind & snow load, making it suitable for a wide variety of climatic zones.



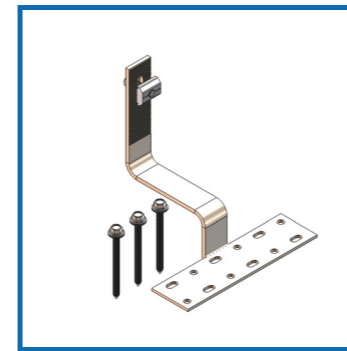
Tile Roof Solar Mounting System



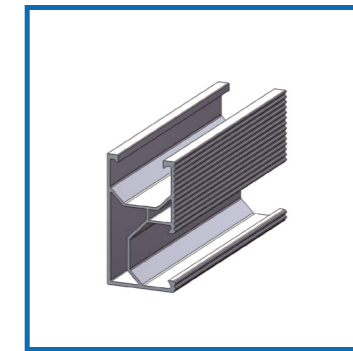
Features

Application	Pitched roof
Roof Slope	Up to 60°
Building height	Up to 20m
Roof cladding	Suitable for most types of cladding
Recommended wind speed	Up to 79.2m/s (wind region D)
PV module	Framed, unframed
Module orientation	Landscape, portrait
Material	Anodized aluminum 6005 T6 stainless steel 304
Standard	AS/NZ1170.2:2011, JIS C 8955:2011

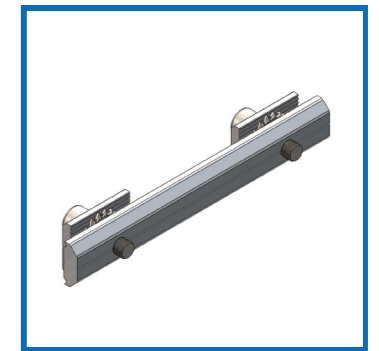
Components



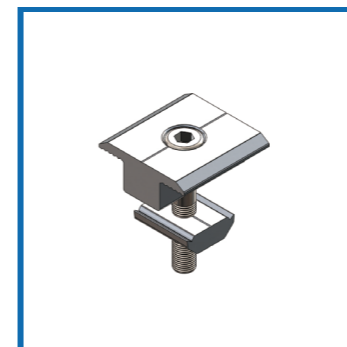
A:Tile roof hook



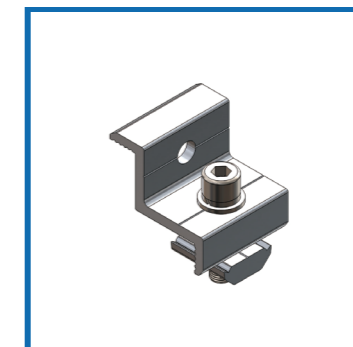
B:Rail



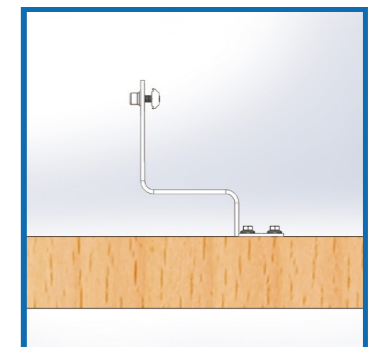
C:Rail Splice



D:Inter clamp



E:End clamp



Side view

Adaptable, Economical Mounting On Almost All Flat Roof Coverings

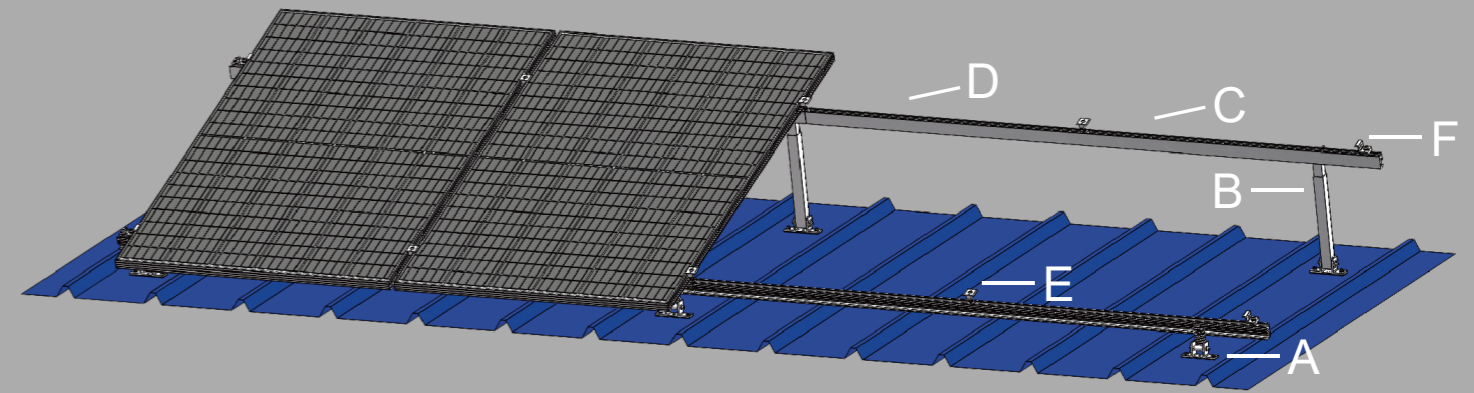
The adjustable tilt flat roof mounting system will easily fit different flat roofs or open terrain applications, due to its variable tilt angle and footing options for both roof clamp and roof penetration. The solar system can be used as fixed tilt or adjustable tilt, allows for project-specific adjustments and optimize solar power output. The innovative design and high pre-assembly eliminate the need for on-site cutting, welding and enable quick and easy field PV module installation.



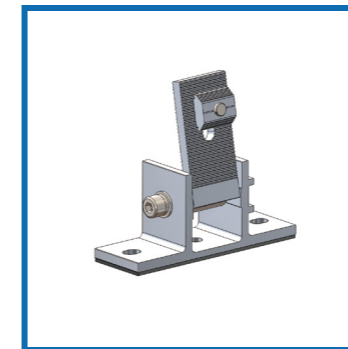
Features

Application	Flat roof
Roof Slope	Fixed, 10-15°, 15-30°, 30-60°
Roof Slope	Up to 45°
Building height	Up to 20m
Recommended wind speed	Up to 79.2m/s (wind region C)
PV module	Framed
Module orientation	Landscape, portrait
Material	Anodized aluminum 6005 T6, stainless steel 304, 410
Standard	AS/NZ1170.2:2011, JIS C 8955:2011

Adjustable Tilt Flat Roof Mounting System



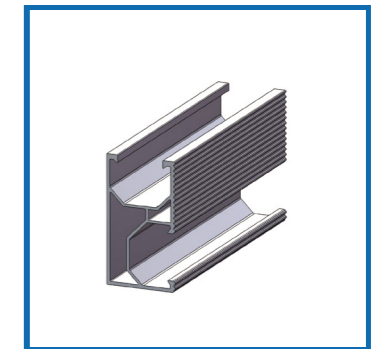
Components



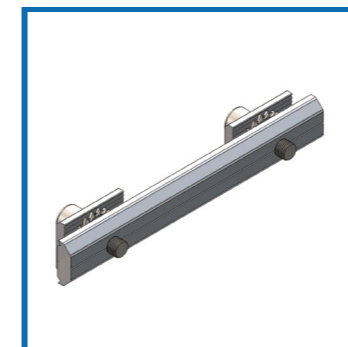
A:Front leg



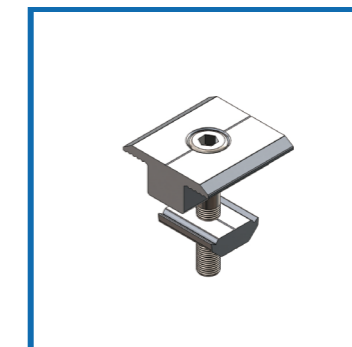
B:Back leg



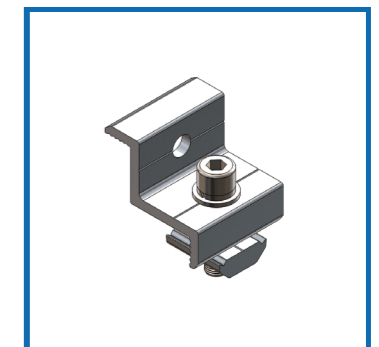
C:Rail



D:Rail splice



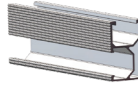
E:Inter clamp



F:End clamp

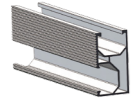
Our accessories

Key elements to a successful PV installation. Our full range of useful accessories diversify the portfolio of Uranus PV mounting systems, and constantly being complemented in line with the market needs. Highly customization, flexibility, convenience to install, quality is the primary concern.



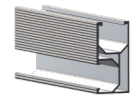
Rail USA-01-5

Package	10pcs/bundle, 4200*170*120mm
Weight	2.570KG/PC




Rail USA-02-5

Package	10pcs/bundle, 4200*170*130mm
Weight	2.734KG/PC




Rail USA-03-5

Package	10pcs/bundle, 4200*170*140mm
Weight	3.150KG/PC




Rail Splice USB-RJ

Package	200pcs/carton, 530*210*360mm
Weight	0.121KG/PC



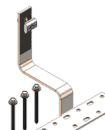
Rail Splice USB-RJ-1

Package	200pcs/carton, 530*210*360mm
Weight	0.132KG/PC




L feet USB-LF

Package	240pcs/carton, 530*210*360mm
Weight	0.136KG/PC



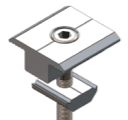
Roof Hook USB-TRH

Package	40pcs/carton, 530*210*360mm
Weight	0.592KG/PC



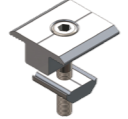
Roof Hook USB-TRH-1

Package	40pcs/carton, 530*210*360mm
Weight	0.72KG/PC



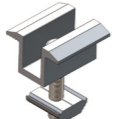
Mid Clamp for 35/40 USB-MC

Package	400pcs/carton, 530*210*360mm
Weight	0.067KG/PC




Mid Clamp for 30/35 USB-MC1

Package	400pcs/carton, 530*210*360mm
Weight	0.066KG/PC



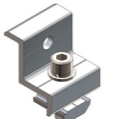
Mid Clamp USB-MC2

Package	400pcs/carton, 530*210*360mm
Weight	0.063KG/PC



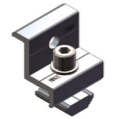
Mid Clamp USB-MC3

Package	63pcs/carton, 530*210*360mm
Weight	0.247KG/PC




End Clamp USB-EC1/EC2

Package	400pcs/carton, 530*210*360mm
Weight	0.063KG/PC



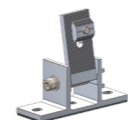
End Clamp USB-EC3/EC4

Package	400pcs/carton, 530*210*360mm
Weight	0.057KG/PC




End Clamp USB-EC5

Package	63pcs/carton, 530*210*360mm
Weight	0.193KG/PC



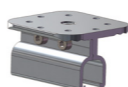
Adjustable Front leg USB-AFL

Package	Front leg+Rear leg =1 set
Weight	0.352KG/PC




Adjustable Rear leg USB-ARL1/ARL/ARL2

Package	① (10~15°) 10set/carton, 220*230*300mm ② (15~30°) 10set/carton, 350*230*300mm ③ (30~60°) 10set/carton, 600*230*300mm
Weight	① 0.710KG/PC ② 0.920KG/PC ③ 1.313KG/PC




Roof Clamp USB-KL700L

Package	60pcs/carton, 530*210*360mm
Weight	0.383KG/PC



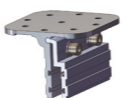
Roof Clamp USB-KL700

Package	216pcs/carton, 530*210*360mm
Weight	0.143KG/PC




Roof Clamp USB-KL406

Package	240pcs/carton, 530*210*360mm
Weight	0.125KG/PC




Roof Clamp USB-LL305

Package	75pcs/carton, 530*210*360mm
Weight	0.396KG/PC




Roof Clamp USB-RC5

Package	200pcs/carton, 530*210*360mm
Weight	0.178KG/PC




Roof Clamp USB-RC6

Package	60pcs/carton, 530*210*360mm
Weight	0.399KG/PC



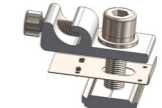
Grounding Clip USB-12

Package	4500pcs/carton, 530*210*360mm
Weight	0.004KG/PC




Grounding Clip USB-12-1

Package	4500pcs/carton, 530*210*360mm
Weight	0.003KG/PC



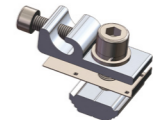
Grounding Lug USB-GL

Package	800pcs/carton, 530*210*360mm
Weight	0.047KG/PC




Grounding Lug USB-GL1 (SF)

Package	800pcs/carton, 530*210*360mm
Weight	0.049KG/PC



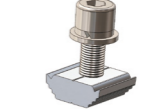
Grounding Lug USB-GL2

Package	800pcs/carton, 530*210*360mm
Weight	0.052KG/PC




T-module USB-TM

Package	2000pcs/carton, 530*210*360mm
Weight	0.028KG/PC




T-module USB-TM1

Package	2000pcs/carton, 530*210*360mm
Weight	0.026KG/PC



Hanger Bolt USB-HB

Package	100pcs/carton, 530*210*360mm
Weight	0.124KG/PC

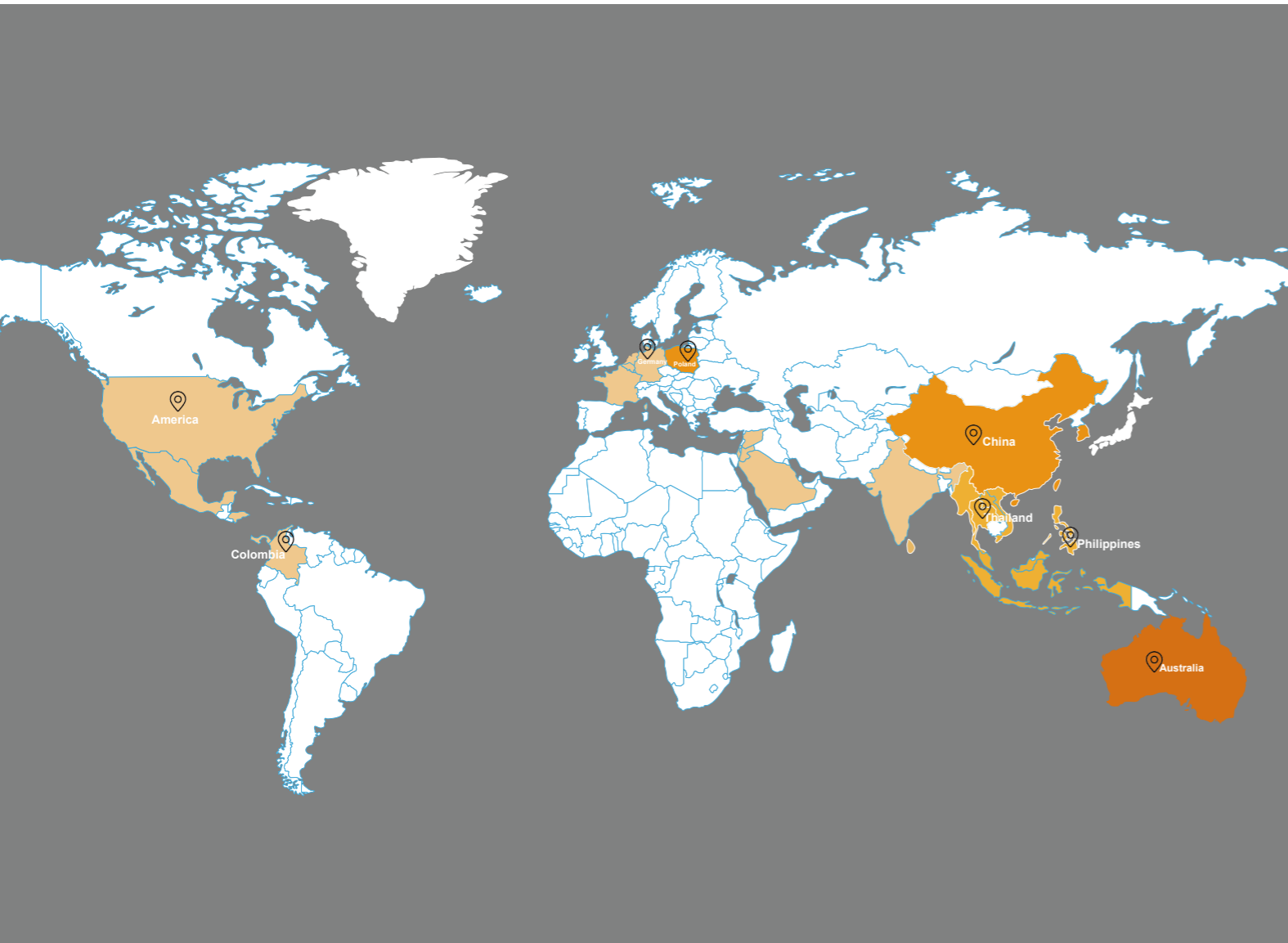


Cable Clip USB-33

Package	6000pcs/carton, 530*210*360mm
Weight	0.004KG/PC

Global Layout

Our products are exported to more than 50 countries and regions in five continents.



Project reference



Project reference



Metal roof solar mount



Adjustable tilt solar mount



Metal roof solar mount



Metal roof solar mount



Tile roof solar mount



Metal roof solar mount



Tile roof solar mount



Adjustable tilt solar mount